

Version	2.0	Date	2/16/22
Prepared By	JC		

PRODUCT SPECIFICATION

Category	Wall Light
Item Number	7159
Stock Code	FXDAL14/12FR/98L840/BK/OD
Mounting	Wall
Housing Color	Black



ELECTRICAL CHARACTERISTICS			
Rated Wattage (W)	14	Replacement Wattage (W)	100
Tested Wattage (W)	14		
Input Voltage (V)	120V		
Voltage Frequency (Hz)	60	Surge Protect Level	-
Input Current (A)	0.12	Dimmable	-
Power Factor	>0.9	AUX (12V) Line	-
THD	-		

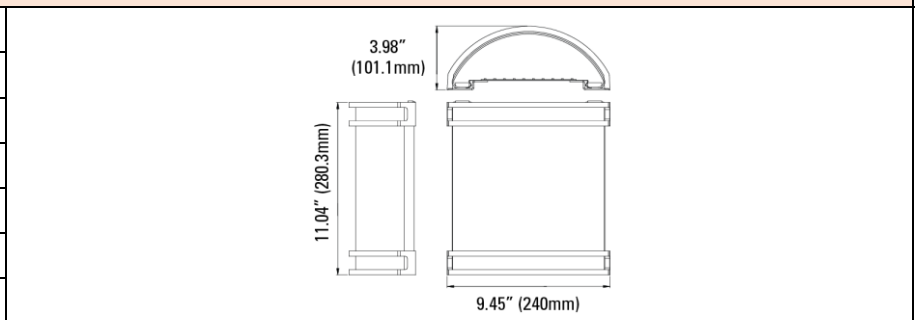
PHOTOMETRIC CHARACTERISTICS			
Lumen (lm)	840	CCT (K)	4000K
Efficacy (lm/w)	-	Beam Angle (°)	-
CRI	>80		

GENERAL CHARACTERISTICS	
Operating Temperature (°F)	5°F ~ 104°
Storage Temperature (°F)	-4°F ~ 113°
IP Rating	Wet Location
IK Rating	-
Rated Life (Hrs)	50,000
Warranty (Yrs)	5

ACCESSORIES		
Item #	Stock Code	Description

PRODUCT DIMENSIONS

Width- in / (mm)	9.45" 240
Height- in / (mm)	11.04" 280.3
Depth- in / (mm)	3.98" 101.1
EPA (ft²)	-
Weight (lbs)	2.59
Mounting Height (ft)	-
Cable Length (ft)	-



CERTIFICATIONS			
UL/ETL	ETL/cETL	CEC	
NSF/ETL Sanitation		JA8	
Energy Star	✓	FCC	
DLC		RoHs	

DOCUMENTS			
LM79	✓	IES File	✓
LM80	✓	Dimmer List	
ADA Compliant	✓		

COMMENTS
